

Model Specification and Spare Parts

Electrical Series

216E - NEL3R, S50

42421600

Original model specification and spare parts

EN MODEL SPECIFICATION AND SPARE PARTS

Table of contents

1 Model Specification	4
2 Spare Parts	5

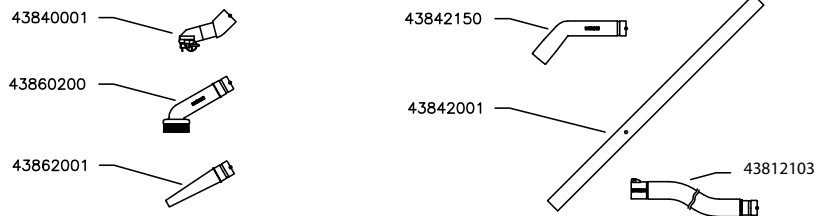
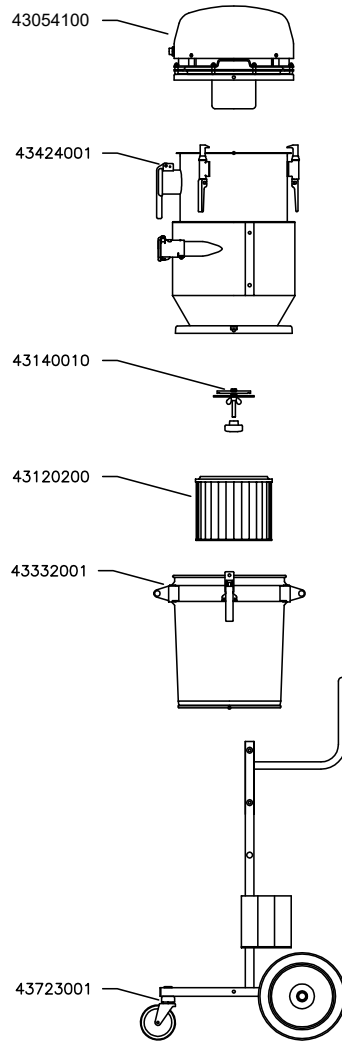
1 Model Specification

Description: 216E - NEL3R, S50

Model: 42421600

Code No.	Description	Qty.
43054100	NEL3R, S50 2.4kW 230V/50Hz	1
43140010	Clamp f/cartr.filter M10 L=90 EI-Zn	1
43332001	Container S50 47l w/ecc fastners	1
43424001	Silo S50 w/rev air clean d51	1
43723001	Trolley S50 f/silo	1
43840001	Floor suct head d51/450	1
43860200	Brush nozzle d51 soft	1
43862001	Conical nozzle d51	1
43842001	Suction pipe d51 PEHD-el 1m	1
43842150	Pipe bend d51 antistatic	1
43812103	Hose PE/C-51 L=7,5m	1
43120200	Absolute filter L=220 A=1.56m ²	1

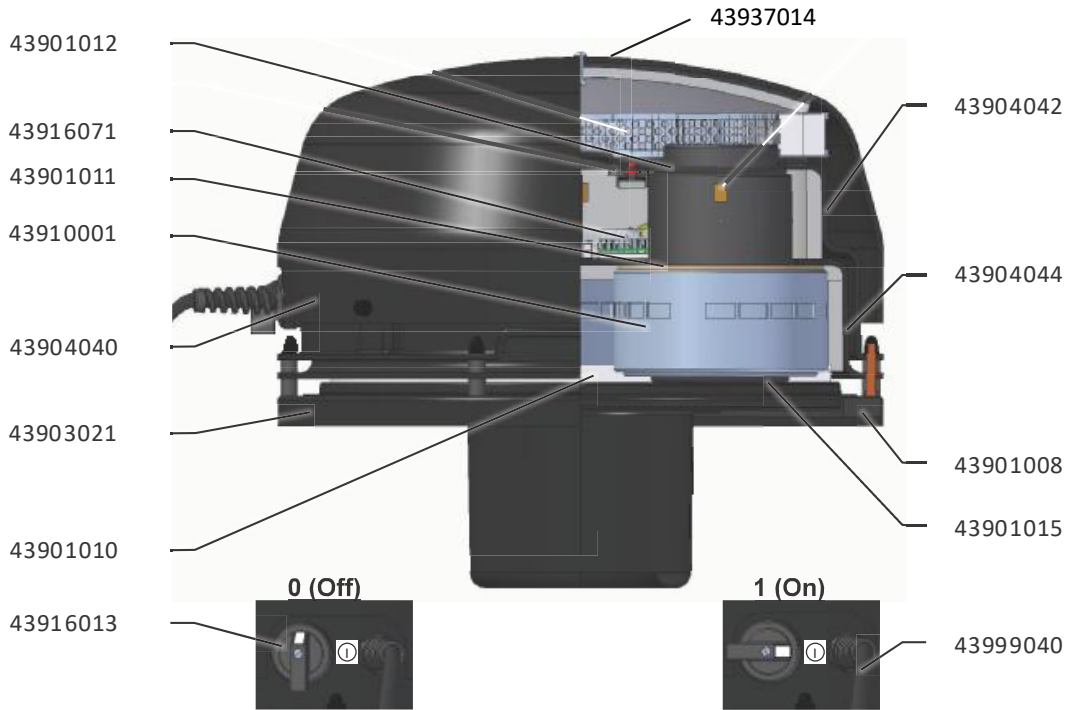
2 Spare Parts



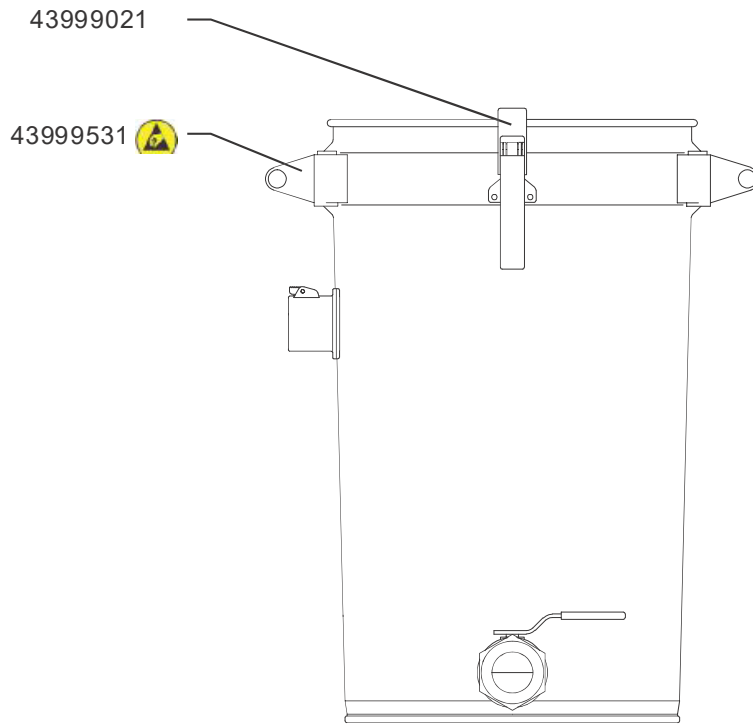
42421600



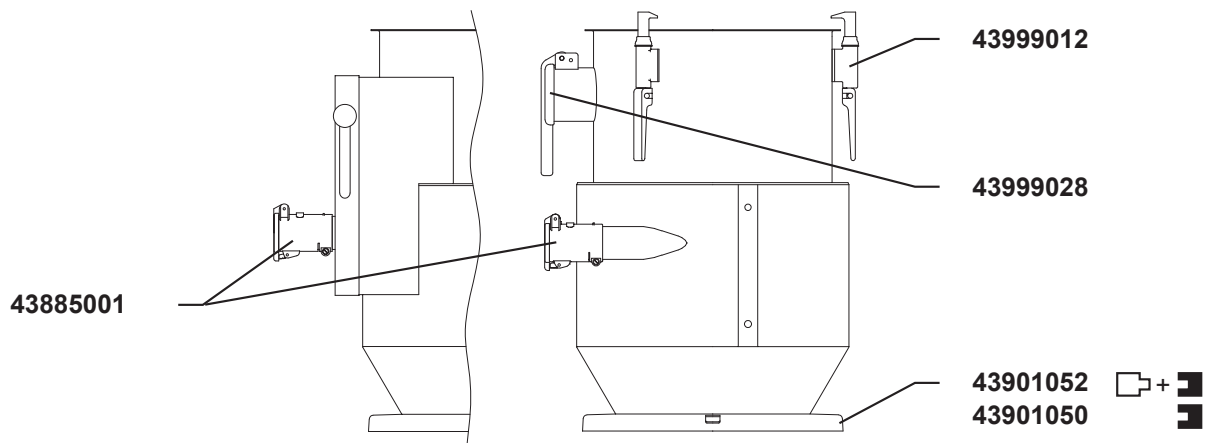
MAX 40°C



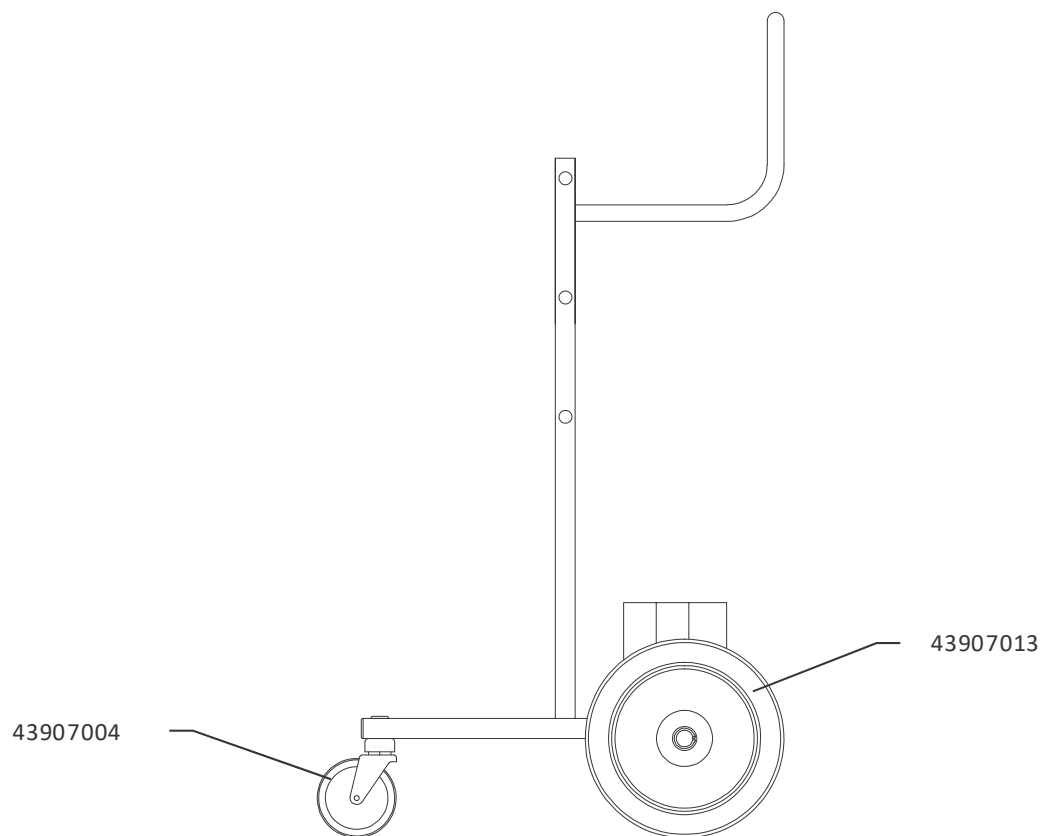
43054100



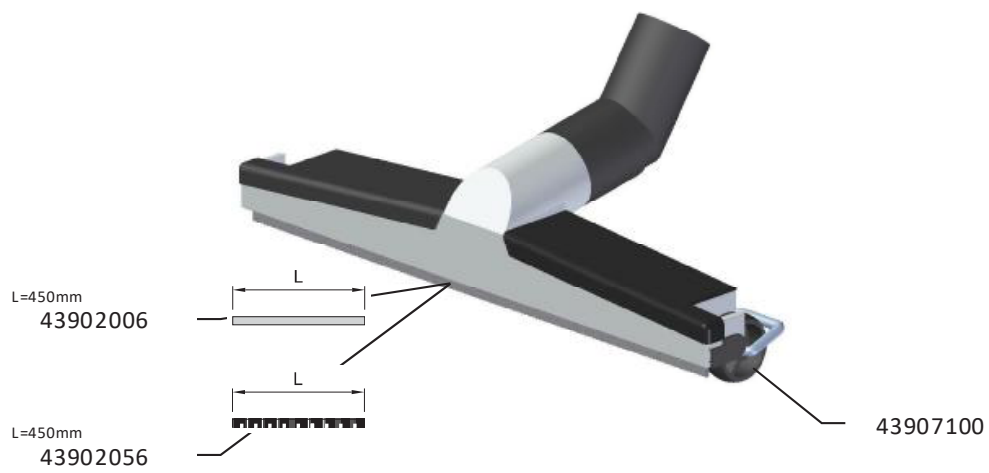
43332001



43424001



43723001



43840001

Nederman

www.nederman.com